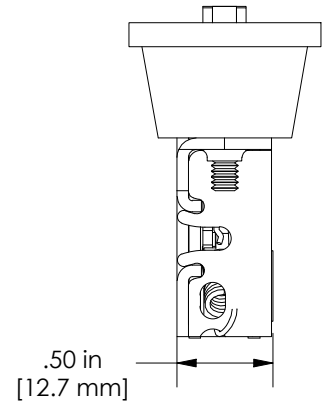
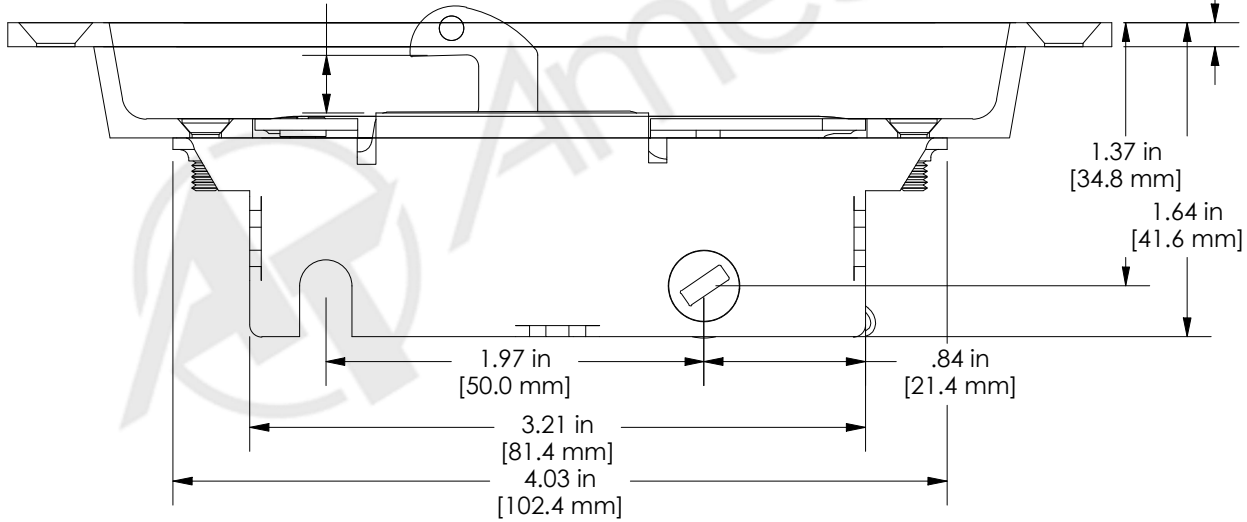



ADJUSTMENT RANGE  
MAX .290  
MIN .160



CUSTOMER PAGE



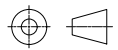
**Amesbury Truth**<sup>™</sup>  
Engineered Solutions. Trusted Results.

THE INFORMATION CONTAINED IN THIS DRAWING IS CONFIDENTIAL AND PROPRIETARY. THIS DRAWING IS NOT TO BE COPIED OR REPRODUCED IN WHOLE OR IN PART WITHOUT EXPRESS WRITTEN PERMISSION.

INTERPRET PER:  
ASME Y14.5M-2009

UNITS: INCH

THIRD ANGLE PROJECTION



DRAWING TITLE: <b>DEADLATCH ASSEMBLY</b>	
SCALE: 1 : 1	SHEET 1 OF 1
PART #:	<b>597</b>